



# Your all-in-one solution for port access

Leverage BD's robust portfolio of port access products  
designed to benefit clinicians and patients



# Table of contents



## Standalone needles

SafeStep® Huber Needle Set   PowerLoc® MAX Power-Injectable Infusion Set.....	4
MiniLoc® Safety Infusion Set   PowerLoc® Safety Infusion Set.....	6
EZ Huber® Safety Infusion Set   PowerLoc® EZ Safety Infusion Set.....	8
HuberPlus® Safety Infusion Set .....	10

## Kits

Port Access Kits.....	12
AllPoints™ Port Access System .....	14

## Accessories

Sentrinex™ 3D Port Dressing.....	16
Amanda™ Port Stabilizer .....	18

# BD is the market leader in port access

BD port access needles are indicated for the **administration of fluids, drugs and blood sampling** via a surgically implanted vascular port. All BD port access products are designed for:



Designed for  
patient comfort



Easy to use and  
provides clinician safety

All BD port access needles are non-coring to minimize septum damage, offer optional “Y” injection sites for secondary access and are available in a variety of lengths and gauge sizes.

BD also offers **the only all-in-one port access kits and systems that integrate the needle directly within the kit**. Additionally, the AllPoints™ port access system is designed in a step-by-step way, to aid clinicians in their efforts towards promoting consistency of care.



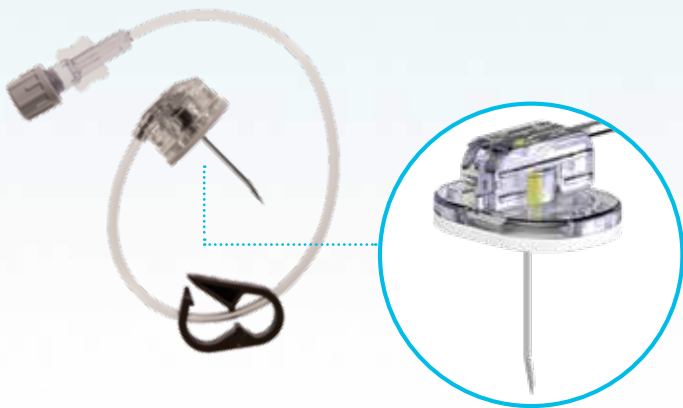
## Power-injectable offerings

BD also offers needles that enable contrast agents to be power-injected. This can help **tissues to show up more clearly in CECT scans**, which supports easier monitoring of patients' conditions.

BD's power-injectable needles have a sticker to notify CT technologists of their power-injectable capabilities, and are compatible for use with PowerPort® devices and other power-injectable ports. 19 and 20 G power-injectable needles have a maximum flow rate of 5 mL/s, while 22 G needles have a maximum flow rate of 2 mL/s.

# Easy to use, flexible placement for venous access on demand

## SafeStep® Huber Needle Set



## PowerLoc® MAX Power-Injectable Infusion Set



### Easy to use

- **Textured handle and rotating needle head** for maneuvering and positioning
- **Small footprint and wingless design** enhance ease of dressing
- **Clear plastic base** allows clinicians to view the insertion site throughout therapy
- **Dual lumen port compatible**



### Designed for patient comfort

- **Smallest footprint** of all BD safety infusion sets
- **Stable needle base** designed for comfort during dressing
- **Non-absorbent padded base**, designed for patient comfort
- **Lower insertion and penetration force** than other non-siliconized port access needles\*



### Provides clinician safety

- Smooth and simple **single-handed activation**
- Needle-point covered with **audible “click”**
- **Visual indication** of lockout

\*Bench testing, not indicative of clinical performance

## Ordering information

### SafeStep® Huber Needle Set

Gauge	Needle length	Product code with Y-site and needle-free injection cap	Product code without Y-site
19 G	0.5 in.	LH-0039YN	LH-0039
	0.75 in.	LH-0033YN	LH-0033
	1 in.	LH-0034YN	LH-0034
	1.5 in.	LH-0040YN	LH-0040
20 G	0.5 in.	LH-0037YN	LH-0037
	0.75 in.	LH-0031YN	LH-0031
	1 in.	LH-0032YN	LH-0032
	1.5 in.	LH-0038YN	LH-0038
22 G	0.5 in.	LH-0035YN	LH-0035
	0.75 in.	LH-0029YN	LH-0029
	1 in.	LH-0030YN	LH-0030
	1.5 in.	LH-0036YN	LH-0036

The SafeStep® set comes 25 per case, with a minimum order quantity of one case.

### PowerLoc® MAX Power-Injectable Infusion Set

Gauge	Needle length	Product code with Y-site	Product code without Y-site
19 G	0.75 in.	0131975	0141975
	1 in.	0131910	0141910
	1.5 in.	0131915	0141915
20 G	0.75 in.	0132075	0142075
	1 in.	0132010	0142010
	1.5 in.	0132015	0142015
22 G	0.75 in.	0132275	0142275
	1 in.	0132210	0142210
	1.5 in.	0132215	0142215

The PowerLoc® MAX set comes 25 per case, with a minimum order quantity of one case.

# Ideal for dressing the access site

## MiniLoc® Safety Infusion Set



## PowerLoc® Safety Infusion Set



### Easy to use

- **Ergonomic wing design** for controlled access and site visibility
- **Dual lumen port adaptable**



### Designed for patient comfort

- **Small footprint, low profile** and **light weight** provide enhanced patient comfort
- **Lower insertion and penetration force** than other non-siliconized port access needles\*



### Provides clinician safety

- **Dual action safety mechanism** shields the needle point and needle locks into place after removal
- **Audible click, tactile feel and visual confirmation** verify the lockout for safe removal, transport and disposal

\*Bench testing, not indicative of clinical performance

## Ordering information

### MiniLoc® Safety Infusion Set

Gauge	Needle length	Product code with Y-site	Product code with Y-site and needle-free injection cap	Product code without Y-site
19 G	0.5 in.	0681950	S02319-50	0631950
	0.75 in.	0681934	S02319-75	0631934
	1 in.	0681910	S02319-10	0631910
	1.5 in.	0681915	S02319-15	0631915
20 G	0.5 in.	0682050	S02320-50	0632050
	0.75 in.	0682034	S02320-75	0632034
	1 in.	0682010	S02320-10	0632010
	1.5 in.	0682015	S02320-15	0632015
22 G	0.5 in.	0682250	S02322-50	0632250
	0.75 in.	0682234	S02322-75	0632234
	1 in.	0682210	S02322-10	0632210
	1.5 in.	0682215	S02322-15	0632215

The MiniLoc® set comes 20 per case, with a minimum order quantity of one case.

### PowerLoc® Safety Infusion Set

Gauge	Needle length	Product code with Y-site	Product code without Y-site
19 G	0.75 in.	0671934	0651934
	1 in.	0671910	0651910
	1.5 in.	0671915	0651915
20 G	0.75 in.	0672034	0652034
	1 in.	0672010	0652010
	1.5 in.	0672015	0652015
22 G	0.75 in.	0672234	0652234
	1 in.	0672210	0652210
	1.5 in.	0672215	0652215

The PowerLoc® set comes 20 per case, with a minimum order quantity of one case.

The wings of PowerLoc® and MiniLoc® are colored based on gauge size (19 G clear, 20 G yellow, 22 G black)

# Dual protection from needlestick injuries and blood and fluid exposure

## EZ Huber® Safety Infusion Set



## PowerLoc® EZ Safety Infusion Set



### Easy to use

- **Low profile** enhances clinician visualization of the access site
- **Small footprint, profile and design** make it an ideal needle for dressing the access site and maintaining dressing integrity



### Designed for patient comfort

- **Lower insertion and penetration force** than other non-siliconized port access needles\*
- **Padded base**, designed for patient comfort



### Provides clinician safety

- Safety mechanism **covers the needle tip** and locks it into the plastic base
- **Integrated Bio-Bag** minimizes contact with blood and fluids following safety activation
- **Visual, audible and tactile confirmation** of safety activation

\*Bench testing, not indicative of clinical performance

## Ordering information

### EZ Huber® Safety Infusion Set

Gauge	Needle length	Product code with Y-site and wings	Product code with Y-site and without wings
19 G	0.75 in.	SHW19-75YS	SH19-75YS
	1 in.	SHW19-100YS	SH19-100YS
	1.5 in.	SHW19-150YS	SH19-150YS
20 G	0.5 in.	SHW20-50YS	SH20-50YS
	0.75 in.	SHW20-75YS	SH20-75YS
	1 in.	SHW20-100YS	SH20-100YS
	1.5 in.	SHW20-150YS	SH20-150YS
22 G	0.5 in.	SHW22-50YS	SH22-50YS
	0.75 in.	SHW22-75YS	SH22-75YS
	1 in.	SHW22-100YS	SH22-100YS
	1.5 in.	SHW22-150YS	SH22-150YS

The EZ Huber® set comes 25 per case, with a minimum order quantity of one case.

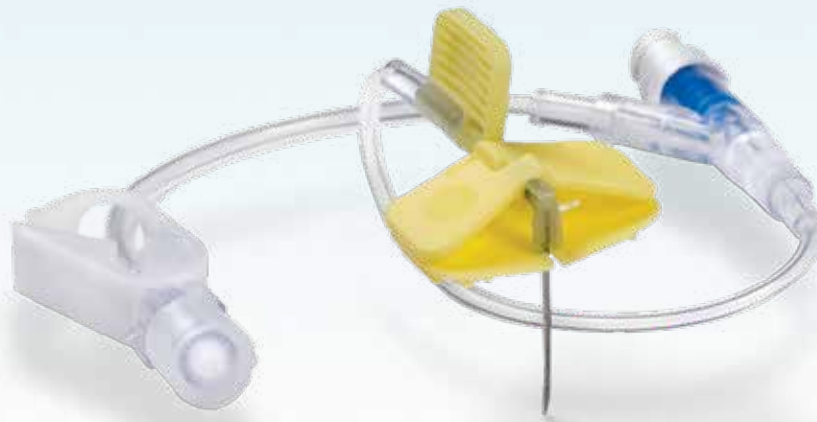
### PowerLoc® EZ Safety Infusion Set

Gauge	Needle length	Product code with wings and Y-site	Product code with wings and without Y-site	Product code without wings and with Y-site	Product code without wings or Y-site
19 G	0.75 in.	SHW19-75Y	SHW19-75	SH19-75Y	SH19-75
	1 in.	SHW19-100Y	SHW19-100	SH19-100Y	SH19-100
	1.5 in.	SHW19-150Y	SHW19-150	SH19-150Y	SH19-150
20 G	0.75 in.	SHW20-75Y	SHW20-75	SH20-75Y	SH20-75
	1 in.	SHW20-100Y	SHW20-100	SH20-100Y	SH20-100
	1.5 in.	SHW20-150Y	SHW20-150	SH20-150Y	SH20-150
22 G	0.75 in.	SHW22-75Y	SHW22-75	SH22-75Y	SH22-75
	1 in.	SHW22-100Y	SHW22-100	SH22-100Y	SH22-100
	1.5 in.	SHW22-150Y	SHW22-150	SH22-150Y	SH22-150

The PowerLoc® EZ set comes 25 per case, with a minimum order quantity of one case.

# Single-handed needle access and safety activation

## HuberPlus® Safety Infusion Set



### Easy to use

- **Single-handed** needle access
- **Dual lumen port compatible**
- **Low profile** design facilitates dressing and viewable access area



### Designed for patient comfort

- **Latex-free** components



### Provides clinician safety

- **Single-handed safety mechanism** snaps closed to protect clinician from accidental needlestick injury during needle removal, transport and disposal
- **Safety mechanism** completely contains the needle

# Ordering information

## HuberPlus® Safety Infusion Set

Gauge	Needle length	Product code with Y-site and needle-free injection cap	Product code without Y-site and needle-free injection cap
19 G	0.75 in.	011934NY	011934
	1 in.	011901NY	011901
	1.25 in.	011912NY	011912
	1.5 in.	011915NY	011915
20 G	0.5 in.	–	012005
	0.75 in.	012034NY	012034
	1 in.	012001NY	012001
	1.25 in.	012012NY	012012
	1.5 in.	012015NY	012015
22 G	0.5 in.	–	012205
	0.75 in.	012234NY	012234
	1 in.	012201NY	012201
	1.25 in.	012212NY	012212
	1.5 in.	012215NY	012215

The HuberPlus® set comes 25 per case, with a minimum order quantity of one case.



# Your answer for port access

## Port Access Kits



### The all-inclusive kit by BD

BD Port Access Kits provide an **all-in-one convenient solution** with components organized to promote standardized, sterile “best practices” for port access-related procedures.

### Port access kit components

Description	Kit	Description	Kit
<b>Your preferred BD Huber needle</b>	1	Prep pad, alcohol	1
Syringe, Sodium chloride (saline) 0.9%, 10mL	1	Prep pad, skin protectant	1
ChloraPrep™ one-step applicator	1	Tape strips, anchor (3 per)	1
Dressing, transparent	1	Towel, absorbent	1
Gauze pad, 2 in. x 2 in.	4	Dressing change label	1
Gloves, non-latex, sterile	2	Procedure checklist	1
Mask	1		

# Ordering information

## Port access kits by needle type

Gauge	Needle length	With Y-site product code	Without Y-site product code
<b>PowerLoc® MAX Power-Injectable Infusion Set</b>			
19 G	0.75 in.	2131975	2141975
	1 in.	2131910	2141910
	1.5 in.	2131915	2141915
20 G	0.75 in.	2132075	2142075
	1 in.	2132010	2142010
	1.5 in.	2132015	2142015
22 G	0.75 in.	2132275	2142275
	1 in.	2132210	2142210
	1.5 in.	2132215	2142215
<b>PowerLoc® Safety Infusion Set</b>			
19 G	0.75 in.	2671934	2651934
	1 in.	2671910	2651910
	1.5 in.	2671915	2651915
20 G	0.75 in.	2672034	2652034
	1 in.	2672010	2652010
	1.5 in.	2672015	2652015
22 G	0.75 in.	2672234	2652234
	1 in.	2672210	2652210
	1.5 in.	2672215	2652215
<b>MiniLoc® Safety Infusion Set</b>			
19 G	0.75 in.	2681934	2631934
	1 in.	2681910	2631910
	1.5 in.	2681915	2631915
20 G	0.75 in.	2682034	2632034
	1 in.	2682010	2632010
	1.5 in.	2682015	2632015
22 G	0.75 in.	2682234	2632234
	1 in.	2682210	2632210
	1.5 in.	2682215	2632215
<b>SafeStep® Huber Needle Set</b>			
19 G	0.75 in.	PA-0033YN	PA-0033
	1 in.	PA-0034YN	PA-0034
	1.5 in.	PA-0040YN	PA-0040
20 G	0.75 in.	PA-0031YN	PA-0031
	1 in.	PA-0032YN	PA-0032
	1.5 in.	PA-0038YN	PA-0038
22 G	0.75 in.	PA-0029YN	PA-0029
	1 in.	PA-0030YN	PA-0030
	1.5 in.	PA-0036YN	PA-0036

# Right people. Right process. Done right.

## AllPoints® Port Access System



A redesigned, step-by-step port access system designed to aid clinicians in their efforts towards promoting consistency of care.

- Components are presented in a **step-by-step, sequential layout** that may promote consistency of care
- **Visual guide and checklist** are included to educate and assist in tracking compliance with the procedure
- **Masks, gloves, hand sanitizer** and an **absorbent towel** are included to assist clinicians in maintaining sterile technique
- **Sterile field** accommodates a variety of workspace environments
- Features and layout are designed to **follow industry guidelines** for accessing a patient's implanted port

## Exclusive to BD and included in the AllPoints® port access system:

### Sentrix™ 3D Port Dressing

This 3D domed dressing, created specifically for port access, is designed to fit over the port needle and lay flat against the skin.

### Purell® Advanced Hand Sanitizer (gel)\*

This single-use hand sanitizer package is available exclusively through BD, and helps to ensure compliance with hand-hygiene policies.

### Amanda™ Port Stabilizer

The Amanda™ port stabilizer is designed to aid in access when inserting the infusion needle into a port. BD developed the stabilizer to work with most power and non-power-injectable ports on the market.

## Kit configurations:

- ✓ Power and non-power-injectable device options
- ✓ Infusion needles with or without the Amanda™ port stabilizer
- ✓ Color-coded packaging by infusion needle type for quick and easy identification

## Ordering information

### Kit configuration

Component	Product codes																				
	Power needle systems							Non-power needle systems													
	AN132075	AS132075	AN142010G	AS142010G	AN142010	AS142010	AN142075	AS142075	AN152075G	AS152075G	AN152075	AS152075	AN162010G	AS162010G	AN162010	AS162010	AN162075G	AS162075G	AN162075	AS162075	
PowerLoc® MAX 20 G x 0.75 in. with Y-site	1	1																			
PowerLoc® MAX 20 G x 1 in.			1	1	1	1															
PowerLoc® MAX 20 G x 0.75 in.							1	1													
SafeStep® 20 G x 0.75 in. with Y-site									1	1	1	1									
SafeStep® 20 G x 1 in.													1	1	1	1					
SafeStep® 20 G x 0.75 in.																	1	1	1	1	
Amanda™ port stabilizer		1		1		1		1		1		1		1		1		1		1	
Prep pad, skin protectant	1	1	1	1	1	1	1	1	1	1	1	1	1	1	1	1	1	1	1	1	1
Absorbent towel	1	1	1	1	1	1	1	1	1	1	1	1	1	1	1	1	1	1	1	1	1
Chloraprep™, 3 mL	1	1	1	1	1	1	1	1	1	1	1	1	1	1	1	1	1	1	1	1	1
GuardIVA® dressing			1	1					1	1			1	1			1	1			
Purell® advanced instant hand sanitizer (gel)	2	2	2	2	2	2	2	2	2	2	2	2	2	2	2	2	2	2	2	2	2
Sentrix™ 3D port dressing	1	1	1	1	1	1	1	1	1	1	1	1	1	1	1	1	1	1	1	1	1
Gloves, silver (prep)	1	1	1	1	1	1	1	1	1	1	1	1	1	1	1	1	1	1	1	1	1
Face mask	2	2	2	2	2	2	2	2	2	2	2	2	2	2	2	2	2	2	2	2	2
Gloves, purple (sterile)	1	1	1	1	1	1	1	1	1	1	1	1	1	1	1	1	1	1	1	1	1
Saline syringe	1	1	1	1	1	1	1	1	1	1	1	1	1	1	1	1	1	1	1	1	1
Insert – visual guide (without stabilizer)	1		1		1		1		1		1		1		1		1		1		1
Insert – visual guide (with stabilizer)		1		1		1		1		1		1		1		1		1		1	

# A 3D solution to a 3D problem

## Sentrinex™ 3D Port Dressing



Port needles can be difficult to dress and maintain due to their size and 3-dimensional shape, but in spite of this, port access sites are still commonly dressed with 2-dimensional transparent membrane dressings.



### Unique design

The Sentrinex™ 3D port dressing has been uniquely designed and specifically engineered to cover and protect port access sites and secure infusion needle tubing.



### 3D profile

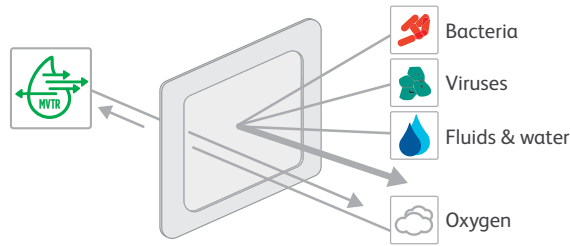
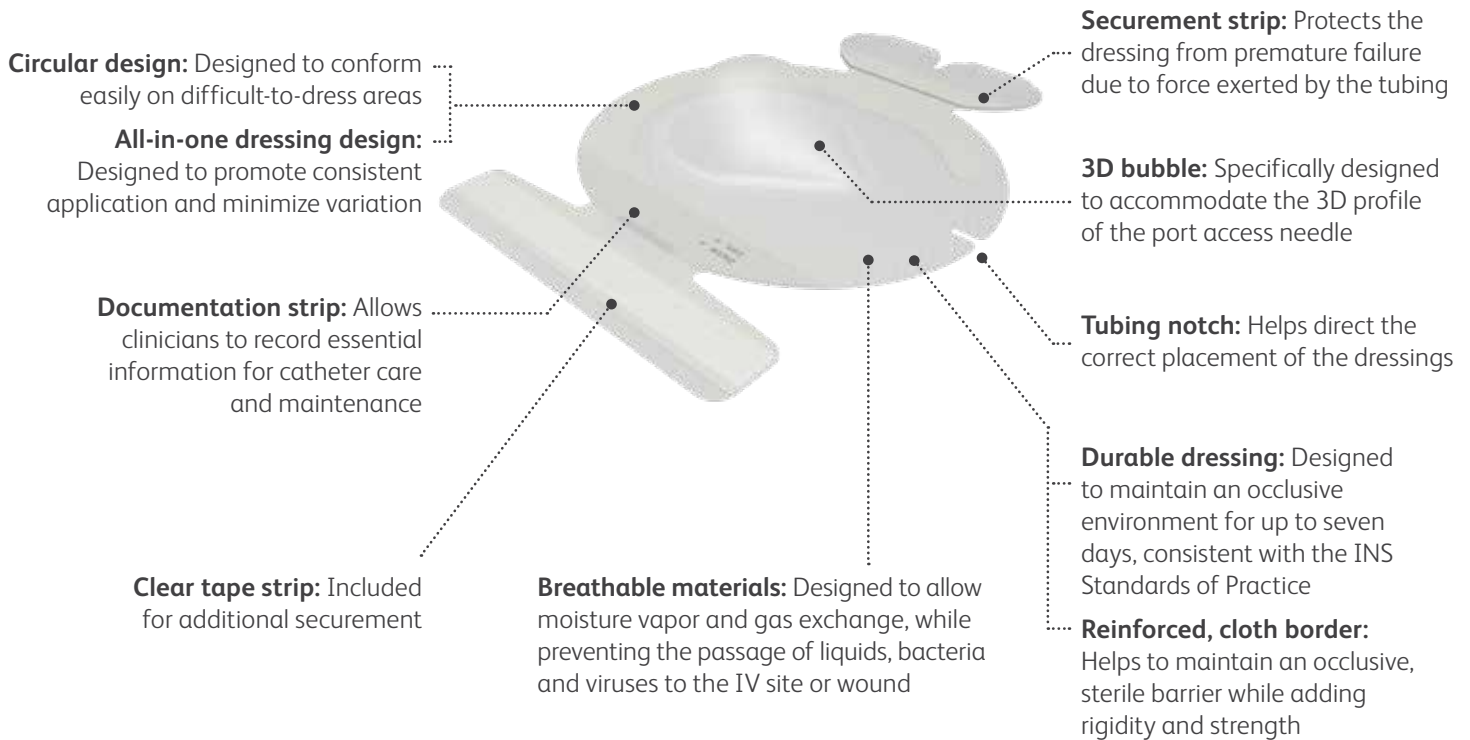
It is the **only port access dressing available with a 3D profile**, providing a 3-dimensional sterile environment for port access needles.



### Adhesive-free zone

The Sentrinex™ 3D port dressing is designed to **prevent pulling at the needle site** during wear and upon removal.

# Key features



## Ordering information

### Sentrinex™ 3D Port Dressing

Product code	Description	Quantity
SXSPT01	Sentrinex™ 3D port dressing (stand-alone)	100 per box

The Sentrinex™ 3D Port Dressing comes in every AllPoints™ Port Access System.

# Designed to promote safe and easy port access every time

## Amanda™ Port Stabilizer

Amanda was a young cancer patient who dreamed about making the world a little easier for patients with ports. Many clinicians are not familiar with or comfortable accessing a port. That's why BD, through Amanda's inspiration, developed the Amanda™ port stabilizer. **This device was created to provide clinicians with a consistent port access technique when accessing a patient.**



### Did you know...

...Ports can be accessed for more than just chemotherapy?

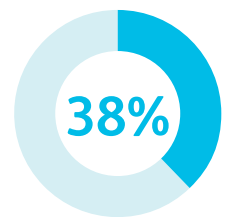
**The port system can be used for:**

- Infusion of medications
- I.V. fluids
- Parenteral nutrition solutions
- Blood products
- Withdrawal of blood samples

...Ports can be accessed in many areas of a hospital or clinic, not just the oncology department?

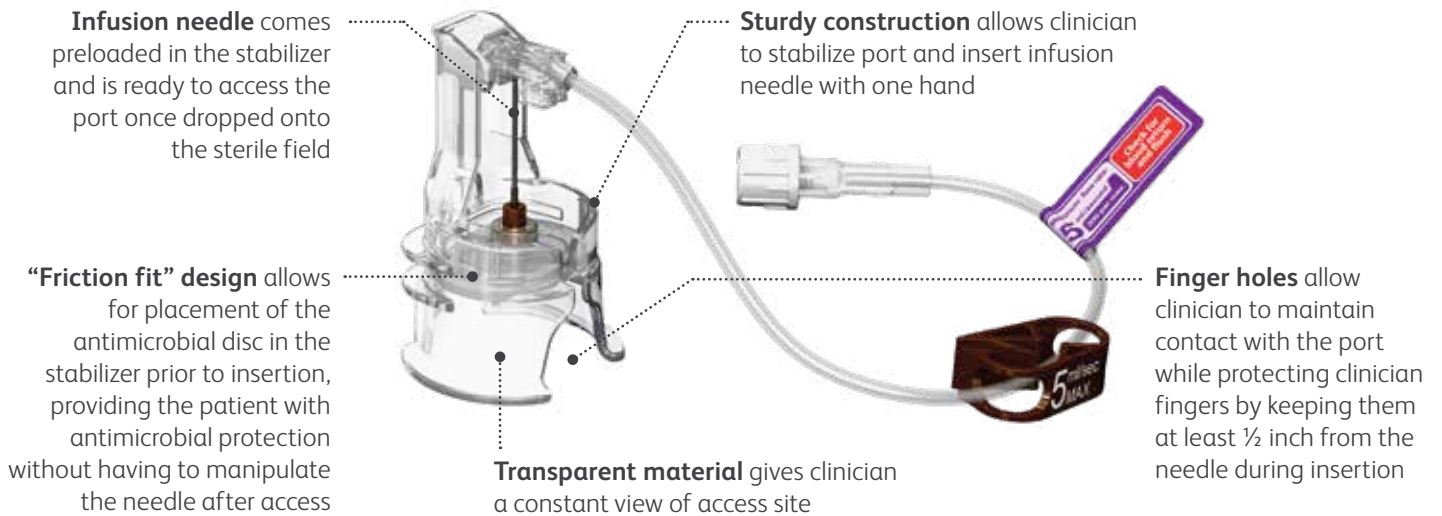
**However, less than 38% of med/surg departments, ICUs and EDs access their patients' ports.**

- INS 2014 blinded n=102



Port patients rely on their ports being accessed for vascular access in lieu of additional lines being placed. The Amanda Port Stabilizer is a unique port access device designed to promote healthcare worker safety, simplify technique and standardize the port access procedure.

## Key features



The Amanda™ port stabilizer is a single-use item and should be properly discarded after the port is accessed. The port stabilizer is contraindicated for use with dual lumen ports.

## Ordering information

### AllPoints™ Port Access Systems containing the Amanda™ Port Stabilizer

Product code	Description
<b>Power-injectable</b>	
AS132075	AllPoints™ port access system, PowerLoc® MAX with Y-Site, 20 G x .75 in.
AS142075	AllPoints™ port access system, PowerLoc® MAX, 20 G x .75 in.
AS142010	AllPoints™ port access system, PowerLoc® MAX, 20 G x 1 in.
AS142010G	AllPoints™ port access system, PowerLoc® MAX, GuardIVa® dressing, 20 G x 1 in.
<b>Non power-injectable</b>	
AS152075	AllPoints™ port access system, SafeStep® Huber needle set with Y-Site, 20 G x .75 in.
AS152075G	AllPoints™ port access system, SafeStep® Huber needle set with Y-Site, GuardIVa® dressing, 20 G x .75 in.
AS162075	AllPoints™ port access system, SafeStep® Huber needle set, 20 G x .75 in.
AS162010	AllPoints™ port access system, SafeStep® Huber needle set, 20 G x 1 in.
AS162075G	AllPoints™ port access system, SafeStep® Huber needle set, GuardIVa® dressing, 20 G x .75 in.
AS162010G	AllPoints™ port access system, SafeStep® Huber needle set, GuardIVa® dressing, 20 G x 1 in.

## References & footnotes

\* **PURELL® Use:** Hand sanitizer to reduce bacteria on the skin.

\* **PURELL® Cautions/Warnings: Flammable. Keep away from fire or flame. For external use only.**

Do not use in or near the eyes. In case of contact, rinse eyes thoroughly with water. Stop use and consult a doctor if irritation occurs.

BD, Franklin Lakes, NJ 07417 U.S.

[bd.com](http://bd.com)



BD, the BD Logo, AllPoints, Amanda, Chloraprep, EZ Huber, GuardIVa, HuberPlus, MiniLoc, PowerLoc, PowerPort, SafeStep and Sentrinx are property of Becton, Dickinson and Company or its affiliates. All other trademarks are the property of their respective owners. © 2019 BD. All rights reserved. BD-10331 (10/19)